



SMD5032 (VC) TCXO

■ FEATURES:

- For automatic assembly
- Compactness and light weight
- VCTCXO available
- Low thickness



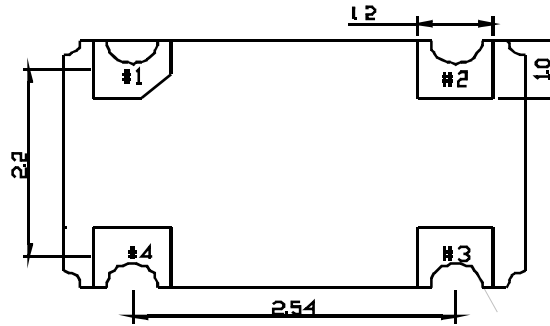
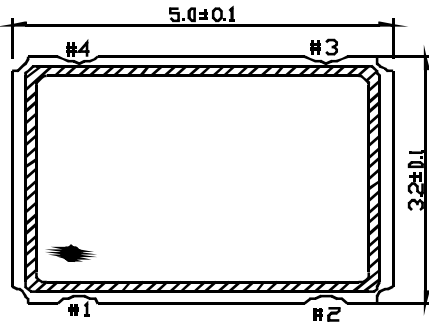
■ SPECIFICATION:

Parameter	Min	Typical	Max	Unit
Package	SMD5032			
Frequency Range(F0)	10.00		40.00	MHz
Standard Frequency	13.000、16.368、19.200、26.000			MHz
Frequency Stability @T _{OPR} ($\Delta F/F_0$)			$\pm 1.0(0^{\circ}\text{C to } +50^{\circ}\text{C})$ $\pm 1.5(0^{\circ}\text{C to } +70^{\circ}\text{C})$ $\pm 2.0(-20^{\circ}\text{C to } +70^{\circ}\text{C})$ $\pm 2.5(-30^{\circ}\text{C to } +75^{\circ}\text{C})$ $\pm 3.0(-40^{\circ}\text{C to } +85^{\circ}\text{C})$	PPM
Frequency Stability @ Load($\Delta F/F_0$)			$\pm 0.3(\pm 10\% \text{ Load Change})$	PPM
Frequency Stability @ Vcc($\Delta F/F_0$)			± 0.2	PPM
Aging Per Year			± 1.0	PPM
Phase Noise@19.20MHz			-110 dBC/Hz(100Hz) -140 dBC/Hz(1KHz) -150 dBC/Hz(10KHz)	
Operating Temperature Range(T _{OPR})	-40		+85	°C
Storage Temperature Range(T _{STG})	-55		+125	°C
Operating Voltage(Vcc)	5.0 \pm 10% or 3.3 \pm 10%			V
Input Current On Load(Icc)	Clipped Sine Wave		3(10.00 to 23.99MHz)	mA
	Clipped Sine Wave		5(24.00 to 40.00MHz)	
	CMOS		8(10.00 to 40.00MHz)	
Start Time			2	ms
Output Load	10K Ω //10PF(Clipped Sine Wave)、15PF(CMOS)			
Output Level(Clipped Sine Wave)	0.8Vp-p			V
Output High Voltage Level("1")(CMOS)	90%VCC			V
Output Low Voltage Level("0")(CMOS)			10%VCC	V
Control Voltage Range(Vcontrol)	20%VCC		80%VCC	V
Pull ability@Control Voltage Range	± 5.0			PPM

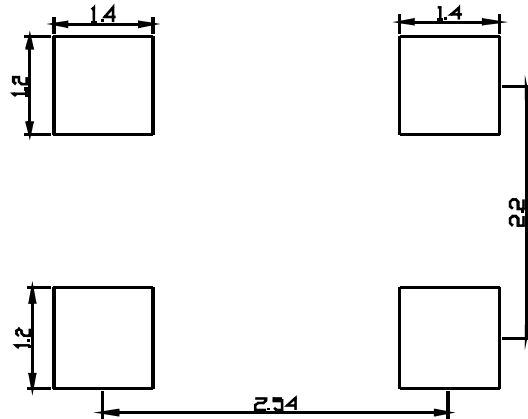
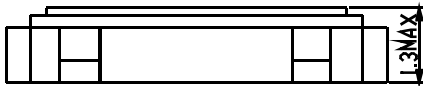




■ DIMENSIONS AND PIN FUNCTION:



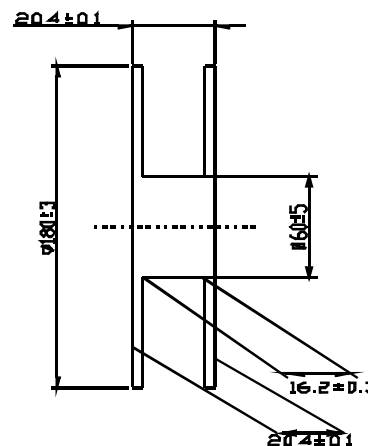
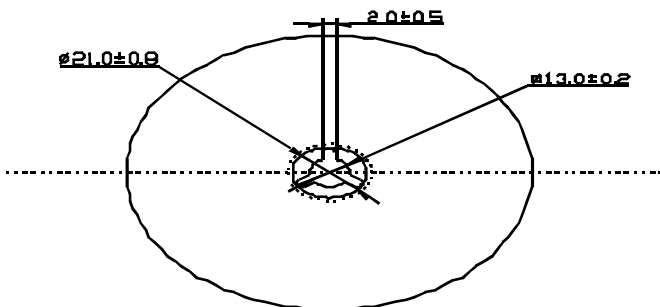
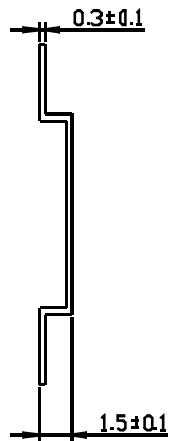
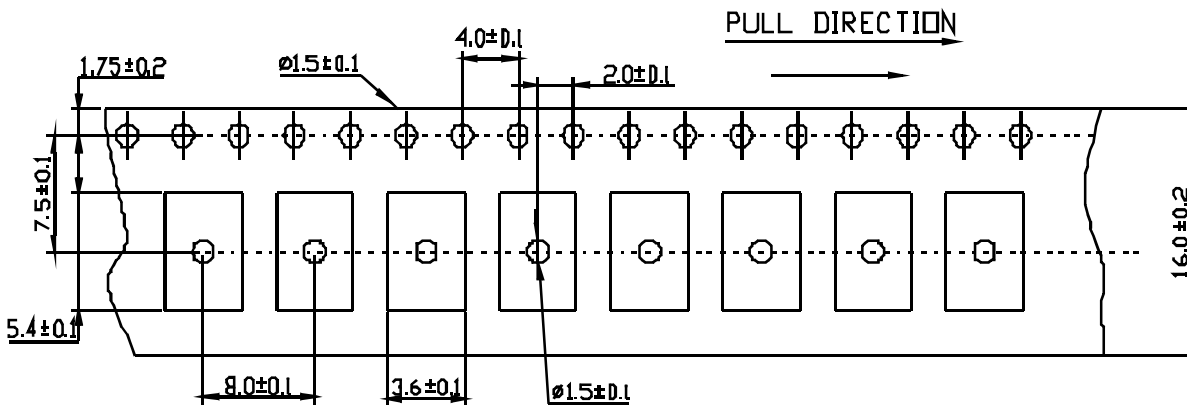
PIN	Function
#1	NC/Vcontrol
#2	GND
#3	Output
#4	Vcc



Unit:mm

Recommended Solder Pattern

■ TAPING AND REEL:



Unit: mm

